

# Mix Modular Sofa 3-piece



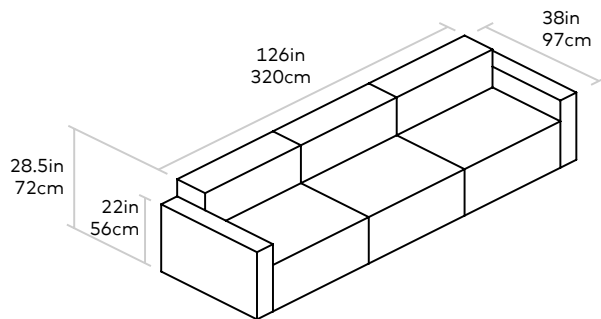
Add an Ottoman to create  
4-Piece Sectional



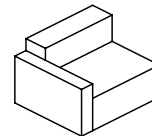
Add components to create  
5-Piece Sectional



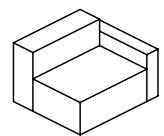
**Build your custom  
sectional, sofa, or chaise  
by combining the modular  
components below**



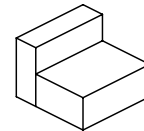
**ARM - LEFT FACING**  
W44 D38 H28.5 in  
W112 D97 H72 cm



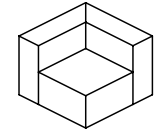
**ARM - RIGHT FACING**  
W44 D38 H28.5 in  
W112 D97 H72 cm



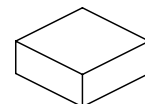
**ARMLESS**  
W38 D38 H28.5 in  
W97 D97 H72 cm



**CORNER**  
W38 D38 H28.5 in  
W97 D97 H72 cm



**OTTOMAN**  
W38 D38 H16.5 in  
W97 D97 H42 cm



**UPHOLSTERY** > Fabric  
**BASE** > Inset solid-wood block feet

The Mix Modular Collection is designed to adapt and grow with your ever-changing lifestyle. The collection is comprised of 5 different modular components which can be combined and mixed to create an unlimited number of upholstery configurations. The tight seat and back give the series a clean-lined, contemporary look, and each component has French seams to subtly soften the edges. Each component includes a matching bolster cushion (ottoman excluded) and connector hardware. Constructed with kiln-dried 100% FSC®-Certified hardwood in support of responsible forest management.

To see all finish options visit  
[GUSMODERN.COM](http://GUSMODERN.COM)



THIS PRODUCT IS MANUFACTURED WITH FSC-CERTIFIED WOOD